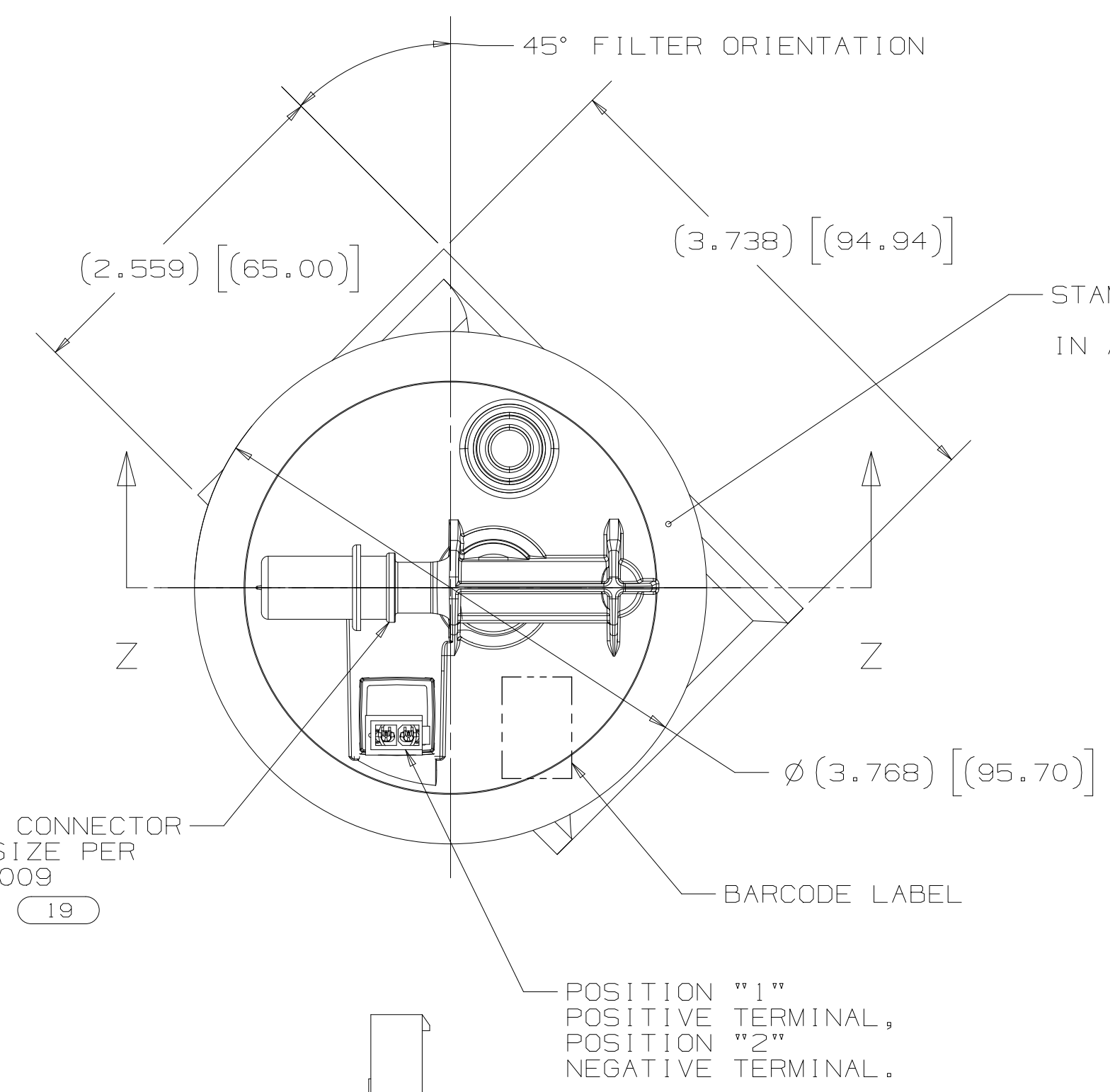
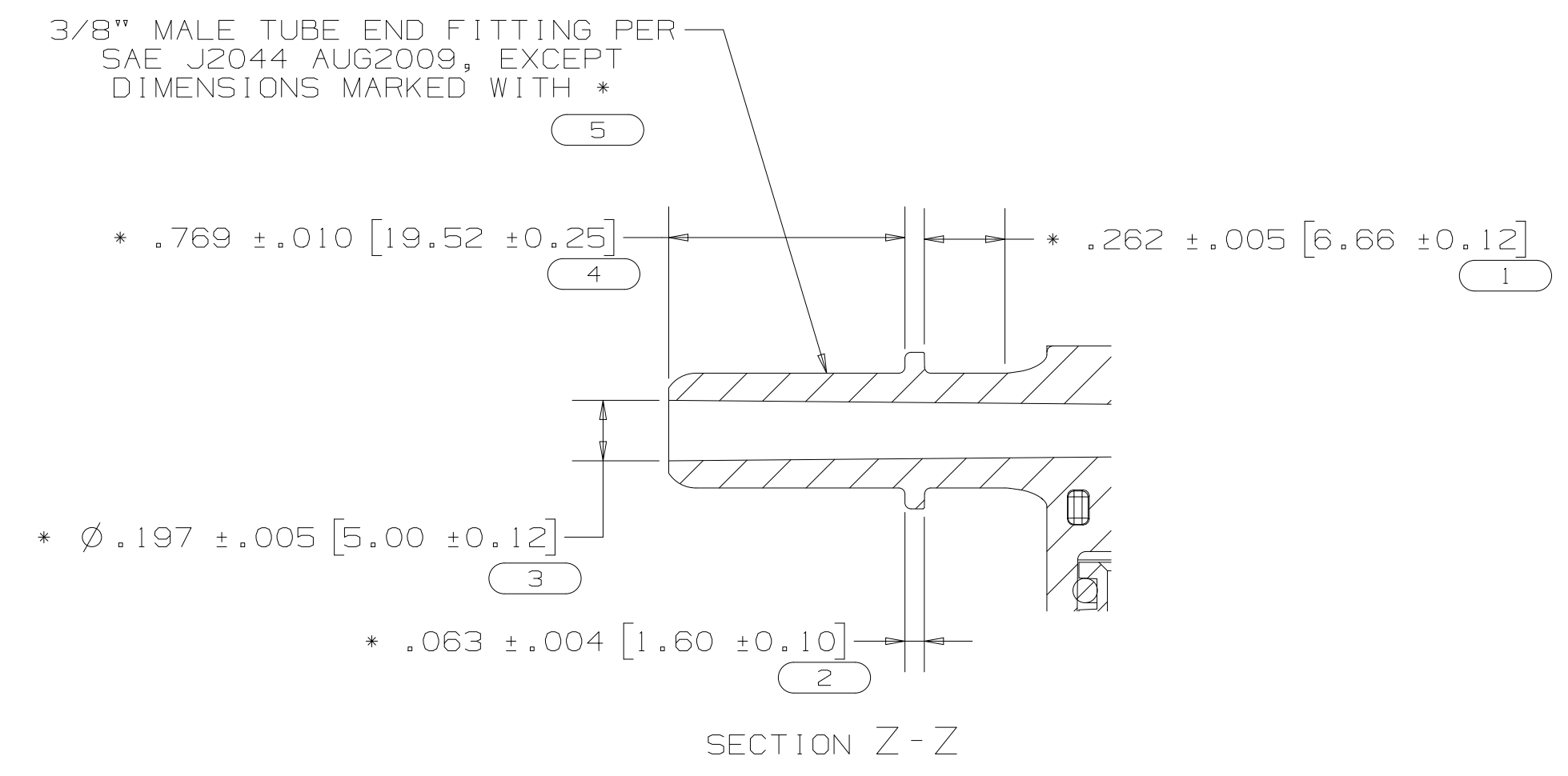
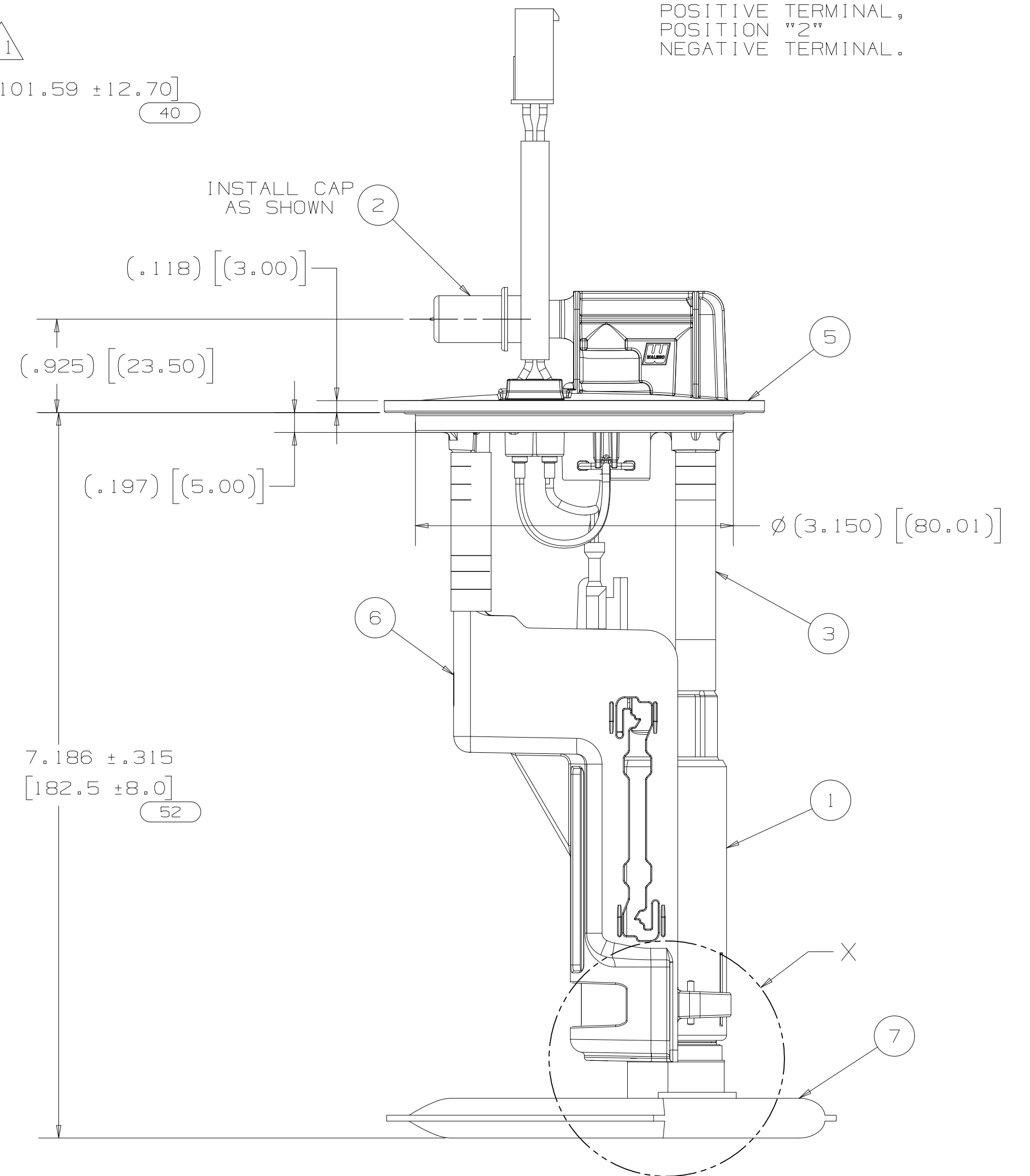
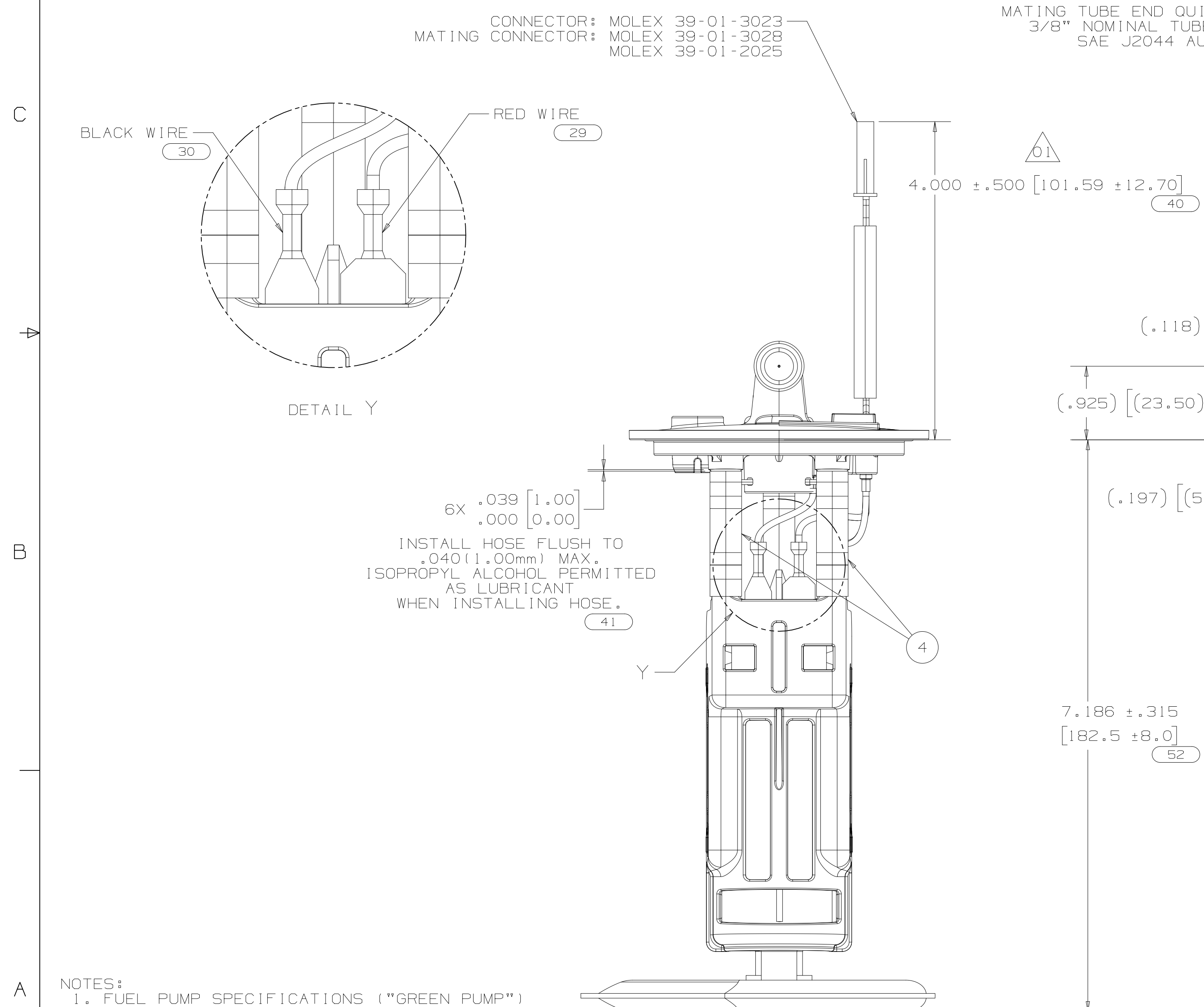


REVISIONS			
REV	DESCRIPTION	DATE	BY
00	INITIAL RELEASE	02/23/2015	RJIRA
01	PROJECT WAS P099, DEFINED WIRE LENGTH	05/01/2015	CZIMMERM



STAMP MODEL No., CUSTOMER PART No., HOUR OF MFG. AND JULIAN DATE IN AREA SHOWN - HEIGHT .100(2.5mm). EXACT POSITION NOT IMPORTANT

ITEM	PART No.	DESCRIPTION	No. REQ'D
1	FTB-11	PUMP	1
2	25-593	CAP	1
3	71-836	HOSE	1
4	71-837	HOSE	2
5	94-1612	WIRE ASSEMBLY	1
6	108-619	RETAINER	1
7	125-961	FILTER	1



- NOTES:
- FUEL PUMP SPECIFICATIONS ("GREEN PUMP") AT 14.0V, (TBD)kPa (TBD), LPH MINIMUM, (TBD) AMPS MAXIMUM DEAD HEAD; (TBD)kPa. P<sub>sys</sub>=240kPa, LR<sub>acc</sub>=8 SCCM EXTERNAL LEAK TEST PER S-437 P<sub>sys</sub>=40kPa, LR<sub>acc</sub>=3 SCCM
  - PFA FUEL FILTER: AFHEGD, 85% EFFICIENT AT 10 MICRON, 98% EFFICIENT AT 15 MICRON.
  - APPROVED SOURCE OF SUPPLY: - WALBRO ENGINE MANAGEMENT; PART No.: PFA-184

PROJECTION

DRAWN BY RJIRA DATE 02/23/2015

APPROVED BY *phelin*

STATUS P-Production DATE 11/25/2015

MATERIAL

FINISH

ITEM DESCRIPTION: PUMP ASM:ELEC

SIZE D ITEM NO. 693-00100 REV 01

SCALE 1/1 EST.WT. SHEET 1 OF 1

MTD PRODUCTS INC.

This drawing contains Major and/or Key Characteristics as defined in the MTD Supplier Quality Requirements Guide, Doc. 91258001.

◇: Key Characteristic  
△: Major Characteristic

SOURCE CONTROL DRAWING